

Product Data



GG SERIES GAS-FIRED UNIT HEATER

**INDUSTRIAL, COMMERCIAL
AND RESIDENTIAL
GARAGE CERTIFIED**

ETL LISTED

**DIRECT
SPARK IGNITION**

RELIABLE BURNER IGNITION

**TWO
STAGE GAS**

AVAILABLE ON SIZES 60-120

**TUBULAR
HEAT EXCHANGER**

ALUMINIZED STEEL

Stainless Steel Option Available

**SINGLE
ORIFICE BURNER**

ONE BURNER TO SERVICE
ONE BURNER TO CONVERT
321 STAINLESS STEEL BURNER BOX

DUAL VENTING

READY FOR STANDARD OR
SEPARATED COMBUSTION ALL
IN ONE UNIT

**GAS CONVERSION
KIT INCLUDED**

STANDARD WITH EVERY UNIT

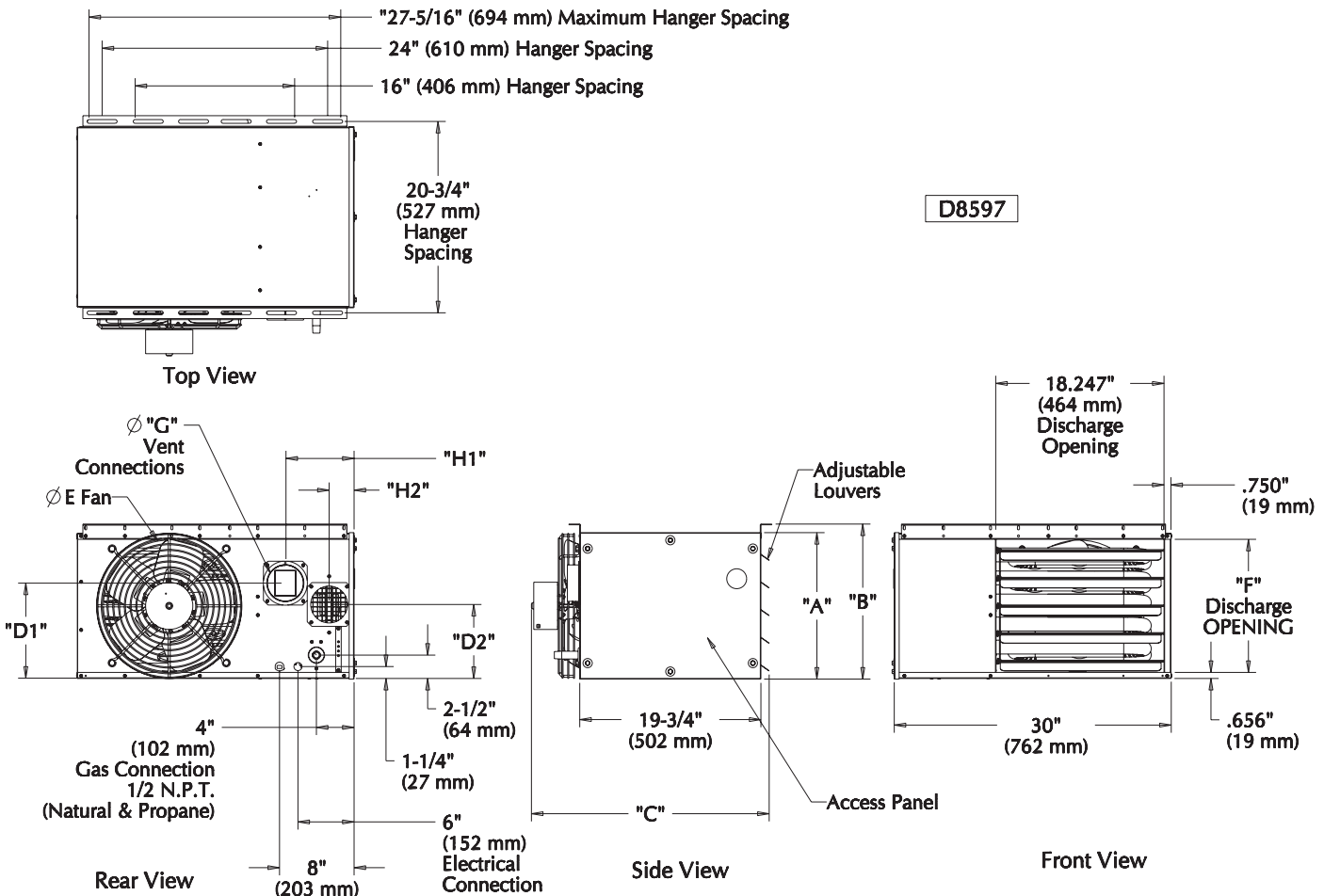
STANDARD FEATURES

- Standard or Separated Combustion All-In-One Units
- 82+% Thermal Efficiency
- Redundant Single-Stage Gas Valve
- Residential Certification: For Use as a Garage Utility Heater
- 120/24V Control Transformer
- OSHA Fan Guard
- 115/1/60 Fan Motor with Internal Overload Protection
- Direct Spark Ignition
- 20-Gauge Cabinet with Baked Enamel Finish
- 10 Year Heat Exchanger Warranty
- Right Hand Control Access - Field Convertible to Left Hand
- High Limit Switch
- Air Pressure Switch
- Natural or Propane Gas
- Gas Conversion Kit Included
- Easy Access Control Panel
- 321 Stainless Steel Burner Box
- Single Orifice Burner System
- 20-Gauge Aluminized Steel Heat Exchanger
- Power Vented

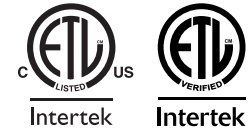
OPTIONAL FEATURES

- 409 Stainless Steel Heat Exchanger
- 2-Stage Gas Control (Sizes 60-120 Only)
- Stainless Steel Flue Collector
- Supply Voltage (Field Mounted Transformers):
 - 208/1/60
 - 230/1/60
 - 208/3/60
 - 230/3/60
 - 460/3/60
 - 575/3/60
- Vent Caps
- Totally Enclosed Motors (Sizes 60-120 Only)
- Pressure Regulator (1/2-35 psi)
- Single & 2-Stage Mercury Free Thermostats
- Locking Thermostat Cover
- 24V SPST Relay
- Combustion Air Inlet Kits (For Concentric Venting)
- Discharge Nozzles (30°, 60°, 90°)

DIMENSIONAL DATA



PERFORMANCE AND DIMENSIONAL DATA



UNIT CAPACITY (MBH)	30	45	60	75	90	105	120
PERFORMANCE DATA†							
Input - BTU/Hr (kW)	30,000 (8.8)	45,000 (13.2)	60,000 (17.6)	75,000 (22.0)	90,000 (26.4)	105,000 (30.8)	120,000 (35.2)
Output - BTU/Hr (kW)	24,900 (7.2)	37,350 (10.9)	49,800 (14.5)	61,500 (18.0)	73,800 (21.6)	86,100 (25.2)	98,400 (28.8)
Thermal Efficiency - %	83	83	83	82	82	82	82
Free Air Delivery - CFM (cu. m/s)	370 (.175)	550 (.260)	740 (.349)	920 (.434)	1,100 (.519)	1,300 (.614)	1,475 (.696)
Air Temperature Rise - °F (°C)	60 (33)	60 (33)	60 (33)	60 (33)	60 (33)	60 (33)	60 (33)
Full Load Amps at 120V	3.2	3.2	4.1	4.1	6.4	6.4	6.4
Maximum Circuit Ampacity	3.7	3.7	4.8	4.8	7.5	7.5	7.5
MOTOR DATA:							
Motor HP	1/20	1/20	1/12	1/12	1/10	1/10	1/10
Motor (kW)	(0.04)	(0.04)	(0.06)	(0.06)	(0.075)	(0.075)	(0.075)
Motor Type ODP††	SP	SP	SP	SP	SP	SP	SP
RPM	1650	1650	1050	1050	1050	1050	1050
Motor Amps @ 115V	1.9	1.9	2.6	2.6	4.2	4.2	4.2
DIMENSIONAL DATA - Inches (mm)							
"A" Jacket Height	12-3/8 (314)	12-3/8 (314)	15-7/8 (403)	15-7/8 (403)	22-5/8 (574)	22-5/8 (574)	22-5/8 (574)
"B" Overall Height	13-1/4 (337)	13-1/4 (337)	16-13/16 (427)	16-13/16 (427)	23-9/16 (598)	23-9/16 (598)	23-9/16 (598)
"C" Overall Depth	25-7/8 (632)	25-7/8 (632)	26-3/16 (665)	26-3/16 (665)	26-3/8 (670)	26-3/8 (670)	26-3/8 (670)
"D1" Center Line Height of Flue*	8-1/2 (216)	8-1/2 (216)	10-3/8 (263)	10-3/8 (263)	13-5/8 (346)	13-5/8 (346)	13-5/8 (346)
"D2" Center Line Height of Air Intake	8-1/2 (216)	8-1/2 (216)	8 (203)	8 (203)	8-5/8 (219)	8-5/8 (219)	8-5/8 (219)
"E" Fan Diameter	10 (254)	10 (254)	14 (356)	14 (356)	16 (406)	16 (406)	16 (406)
"F" Discharge Opening Height	10-13/16 (275)	10-13/16 (275)	14-7/16 (367)	14-7/16 (367)	21-3/16 (538)	21-3/16 (538)	21-3/16 (538)
"G" Vent Connection Diameter	4 (102)	4 (102)	4 (102)	4 (102)	4 (102)	4 (102)	4 (102)
"H1" Center Line of Flue Connection From Side	7-1/4 (184)	7-1/4 (184)	7-1/4 (184)	7-1/4 (184)	7-3/4 (197)	7-3/4 (197)	7-1/4 (184)
"H2" Center Line of Air Intake From Side	2-3/4 (70)	2-3/4 (70)	2-3/4 (70)	2-3/4 (70)	3-1/2 (89)	3-1/2 (89)	3-1/2 (89)
VENT SIZE REQUIREMENTS - STANDARD COMBUSTION							
Category III Horizontal - Inches (mm)	4 (102)	4 (102)	4 (102)	4 (102)	4 (102)	4 (102)	4 (102)
Category I & III Vertical - Inches (mm)	4 (102)	4 (102)	4 (102)	4 (102)	4 (102)	4 (102)	4 (102)
VENT SIZE REQUIREMENTS - SEPARATED COMBUSTION							
Exhaust Diameter - Inches (mm)	4 (102)	4 (102)	4 (102)	4 (102)	5 (127)	5 (127)	5 (127)
Intake Air Diameter - Inches (mm)	4 (102)	4 (102)	4 (102)	4 (102)	5 (127)	5 (127)	5 (127)
Unit Weight - Lbs (kgs)	60 (27)	65 (29)	80 (36)	85 (39)	95 (43)	105 (48)	110 (50)
Shipping Weight - Lbs (kgs)	70 (32)	75 (34)	90 (41)	95 (43)	110 (50)	115 (52)	120 (54)

*For all installations, the flue collar is included with the unit and should be field installed per the instructions included with the unit.

† Ratings shown are for unit installations at elevations between 0 and 2,000 feet (0 to 610m). For unit installations in USA above 2,000 feet (610m), the unit input must be field derated 4% for each 1,000 feet (305m) above sea level; refer to local codes, or in absence of local codes, refer to the latest edition of the National Fuel Gas Code, ANSI Standard Z223.1 (NFPA No. 54).

For installations in Canada, any reference to deration at altitudes in excess of 2,000 feet (610m) are to be ignored. At altitudes of 2,000 feet to 4,500 feet (610 to 1372m), the unit must be field derated and be so marked in accordance with the ETL certification. See unit installation, operation and maintenance manual for deration information.

†† LEGEND: ODP = OPEN DRIP PROOF SP = SHADED POLE



260 NORTH ELM ST. WESTFIELD, MA 01085
(413) 564-5540 • FAX: (413) 562-5311
www.sterlinghvac.com

 A MESTEK COMPANY